

Robotic Cell Multiplexor for Robotic Prescription Dispensing Systems

Boost Robot Speed

ScriptPro's Robotic Cell Multiplexor (RCM) counts and stages medications for immediate dispensing by the ScriptPro robot. RCMs allow your Robotic Prescription Dispensing System to have many cells counting in parallel, delivering prescriptions at top speed to serve high volume environments. The RCM is a retrofittable mechanism that can be installed in the robotics cabinet of any existing ScriptPro tablet/capsule dispensing robot and be interfaced with the robot's universal medication dispensing cells.



How does it work?

Each RCM has a dispensing drive and counting sensor interfaced with a ScriptPro dispensing cell. Pills are counted and stored in the RCM holding container and transferred to the prescription vial, without cross-contamination, when the vial is presented to the RCM by the robotic arm. RCMs use ScriptPro's proven dispensing technology, which handles tablets and capsules of all shapes and sizes. Just as with regular cells, drugs assigned to RCM cells can be easily changed on-site and the holding container is removable for cleaning.

RCMs can be used to prioritize prescription filling so that "waiters" can be filled before "non-waiters." ScriptPro's barcode control system ensures accuracy throughout the process.

Do I need RCMs?

Adding RCM units for drugs that consume a significant portion of the robot's time may result in up to a 57% increase in system throughput, depending on the number of RCM units used and other operational factors. RCM units are recommended to help increase throughput for pharmacies processing very high volume/high-count prescriptions.



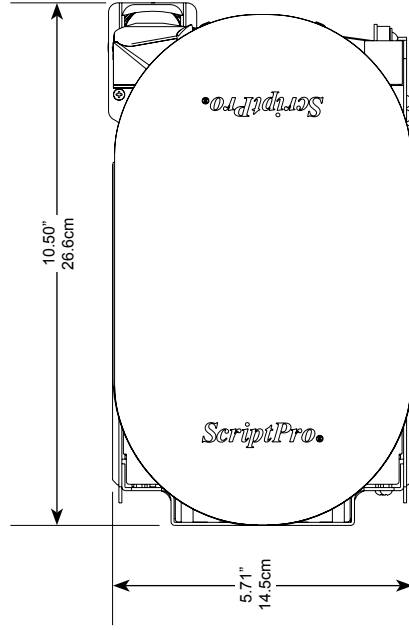
ScriptPro[®]

Pharmacy Automation

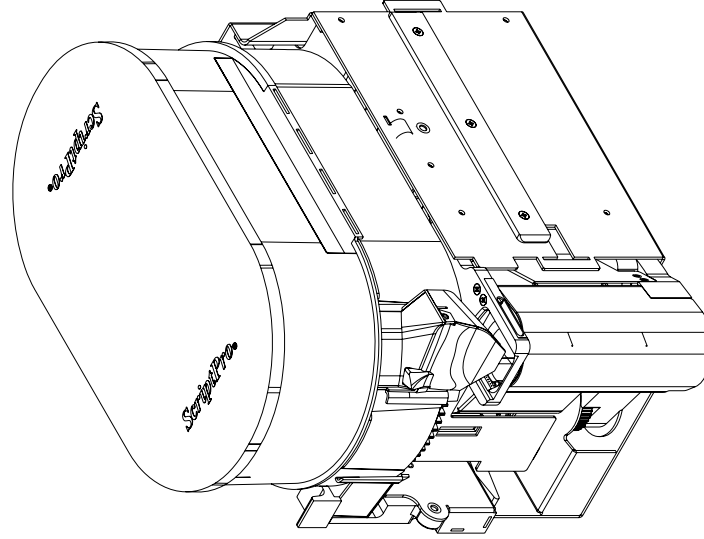
For more information call: 800.606.7628 • 913.384.1008 • www.scriptpro.com

Robotic Cell Multiplexor

Top View



Side View



Specifications*

Weight: 7 lbs (3.2 kg)

Electrical Input: *North American specs. International specs available upon request.*
120 VAC \pm 10%, 60 Hz, 2.5 AMP in addition to robot. (Assumes 14 RCM Cells.)

Computer/Software: Robotic Cell Multiplexor requires an SP 200, SP 100, or SP 50 Robotic Prescription Dispensing System.

Temperatures:

Operating: 41°F to 86°F (5°C to 30°C)

Storage: 5°F to 104°F (-15°C to 40°C)

Dissipated Heat: 82 BTU/HR max/RCM Cell

Standard Number of RCMs Supported per Robot:

SP 200: 14

SP 100: 6

SP 50: 2

Additional RCMs may be supported with approval.

Attaches to extended medication cells; takes up one extended cell slot in the robotics cabinet; retrofittable into existing robotic prescription dispensing systems.

*Specifications subject to change without notice.

ScriptPro®

Pharmacy Automation

800.606.7628 • 913.384.1008
www.scriptpro.com