

# SP Mobile Checkpoint™ Setup

ScriptPro's SP Mobile Checkpoint Setup supports wireless pharmacy operations inside and outside of the pharmacy walls. This powerful package provides management for prescription storage bins and return to stock, as well as local and remote prescription dispensing.



ScriptPro's SP Mobile Checkpoint Setup supports SP Mobile Checkpoints operating on the ScriptPro network through secure wireless access points. Data captured on the units while in range of the server is available in real-time on any SP Central client in the pharmacy. Data captured remotely is stored on the mobile unit and transferred to the server when the unit is in range of the server.

SP Mobile Checkpoint Setup helps pharmacies organize and track will call storage, and dispense prescriptions capturing electronic signatures in drive-thru or delivery operations.



*SP Mobile Checkpoint is supported by ScriptPro's Mobile Software.*

**ScriptPro®**

**Pharmacy Automation**

For more information call:

800.606.7628

913.384.1008

[www.scriptpro.com](http://www.scriptpro.com)

# SP Mobile Checkpoint™ Setup

## Specifications\*

Weight:

- A. SP Mobile Checkpoint: 11.1 oz (.315 kg)
- B. Charger Cradle: 1.10 lb (.503 kg)
- C. Wireless Access Point: 0.64 lb (0.29 kg)

ScriptPro's SP Central Platform System supports the SP Mobile Checkpoint Setup.

### SP Mobile Checkpoint Setup includes:

- SP Central Mobile Software
- 1 SP Mobile Checkpoint (see SP Mobile Checkpoint product sheet)
- 1 Charger Cradle Kit
- 1 Backup 2.5 Hour Battery
- 1 Wireless Access Point

### Network Connectivity and Security

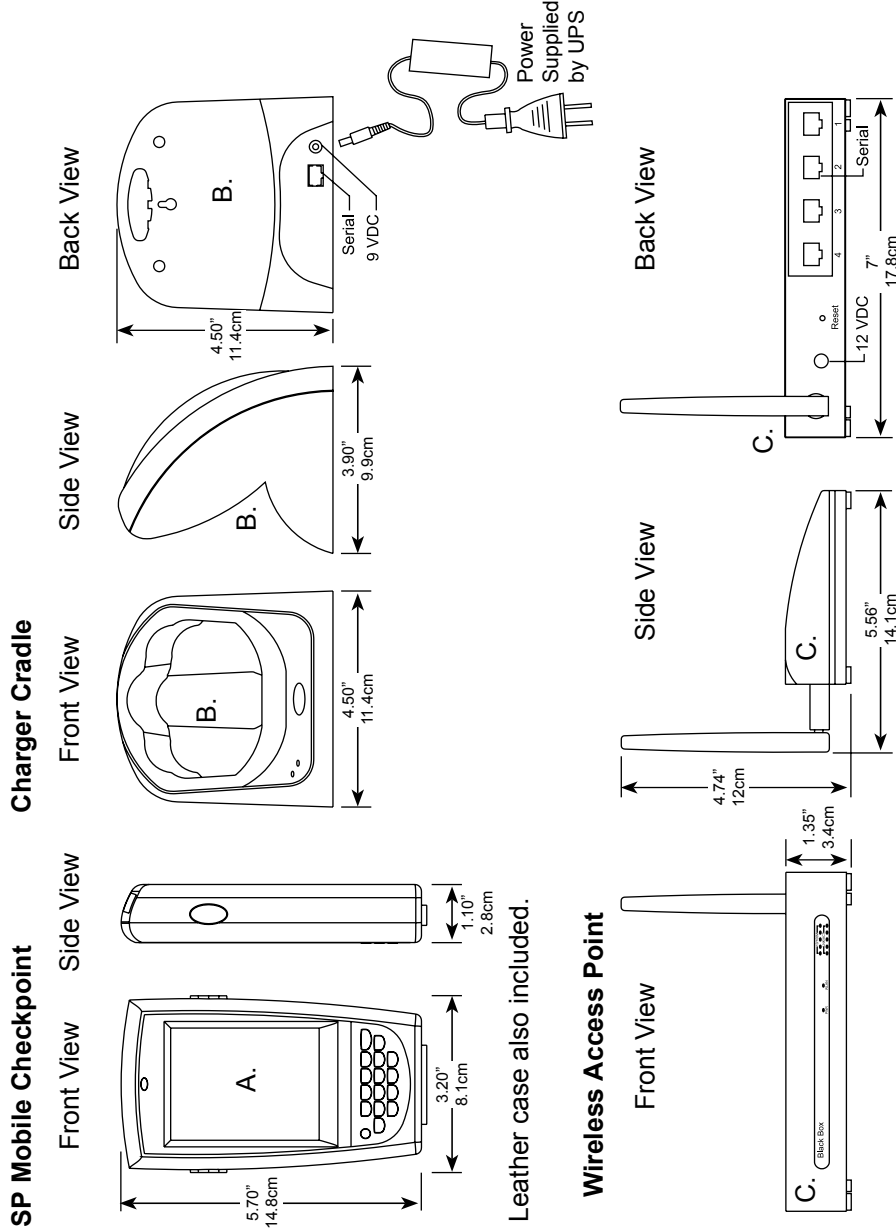
Supports wireless clients on ScriptPro-installed pharmacy server; IEEE 802.11b with WPA v1/TKIP (Wi-Fi Protected Access) security. Wireless access point supports remote operation data downloads/ uploads within 300 ft. of access point(s) based on structural pharmacy layout.

### SP Mobile Checkpoints supported

SP Mobile Checkpoint Setup supports up to 12 SP Mobile Checkpoints operating on the pharmacy server.

*Note: Accessories such as Vehicle Charger, Leather Case, and Battery, are not serviced and must be replaced by supply purchase orders.*

\*Specifications subject to change without notice.



**ScriptPro®**  
Pharmacy Automation

800.606.7628 • 913.384.1008  
www.scriptpro.com