

SP Station

SP Station is a compact, interactive device for manually dispensing medications. The countertop unit integrates a touchscreen monitor, labeling device, and barcode scanner to provide workflow control and dispensing accuracy.

SP Station interfaces with ScriptPro's SP Central system to display on-screen prescription status lists and automate the collation of patient prescriptions. It presents prescription labels after verifying that the correct drug has been scanned, ensuring labeling accuracy.

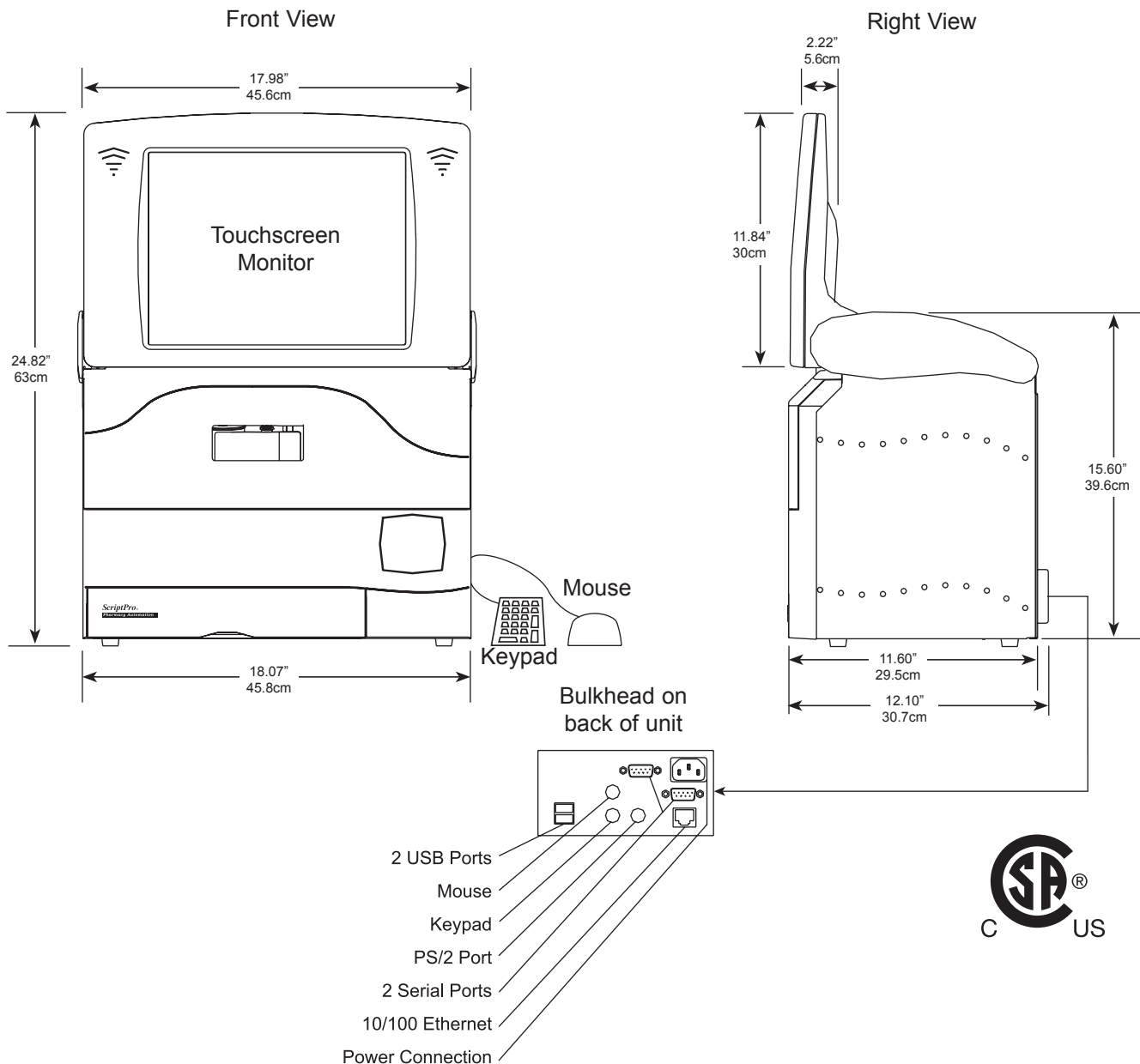


ScriptPro®

Pharmacy Automation

For more information call:
800.606.7628
913.384.1008
www.scriptpro.com

SP Station



Specifications*

Weight: 73 lbs (33 kg)

Electrical Input: *North American specs. International specs available upon request.*

120 VAC ±10%, 50/60 Hz, 2.5 AMP, 1 Phase Outlet located within 5 feet (1.5m) of power connection.

Barcode Scanner: Caution: Class IIa Laser Product.

Do not stare into beam. 650nm visible laser diode - .663mW maximum output.

Computer/Software: Client on ScriptPro-installed network server; Pentium IV-class PC. TCP/IP socket connections; Windows XP Operating System.

Monitor: 15" touchscreen monitor; 30° backward tilt.

Temperatures:

Operating: 41°F to 86°F (5°C to 30°C)

Storage: 5°F to 104°F (-15°C to 40°C)

Relative Humidity: 20 - 85%

Altitude up to 9,843 feet (3000m)

Dissipated Heat: 1,025 BTU/HR max

Peripheral Products Supported:

Electronic Signature (one per unit)

Script Scanner (one per unit)

Point-of-Sale Package with cash drawer, receipt printer (one per unit)

Pen Scanner (one per unit)

Wireless Scanner (one per unit)

IVR Workstation License and Headphone

Terminal Emulation and Terminal Services

Keyboard Options:

Small (standard, in tray)

Full Size (on countertop)

Full Size Ergonomic (on countertop)

ANSI Barcode Print Quality Grade: B

*Specifications subject to change without notice.



ScriptPro®

Pharmacy Automation

800.606.7628 • 913.384.1008

www.scriptpro.com